

3M™ Adflo™ Powered Air Respirator



Respirator without headtop
– for use with 9100 Series Headtops

Part No	Description
35-5401-01	Adflo respirator with SG-30W self-adjusting breathing tube, airflow indicator, prefilter, spark arrestor, HE particulate filter, battery, belt and charger.



Respirator without headtop
– for use with L-Series Headtops

Part No	Description
34-5401-02SG	Adflo respirator with L-122SG breathing tube, airflow indicator, prefilter, spark arrestor, HE particulate filter, battery, belt and charger.



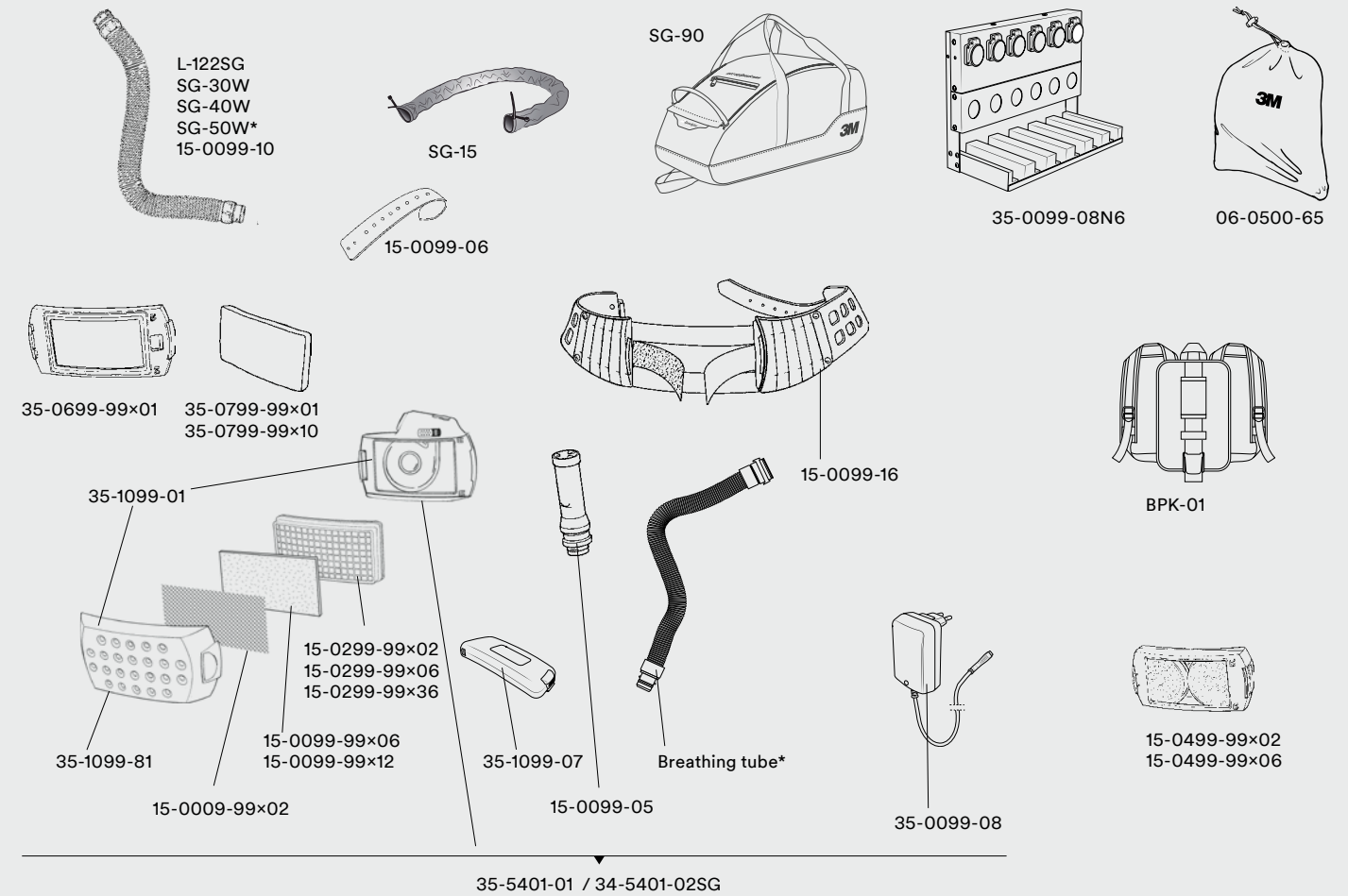
Respirator without headtop
– for use in High Altitude environments

Part No	Description
35-3499-01	Adflo HA respirator with self adjusting breathing tube QRS, airflow indicator, prefilter, spark arrestor, HE particulate filter, battery, belt and charger.

See a demo on how to replace your parts and maintain your welding respirator systems

Visit our website:
www.3m.com/Speedglas

Spare parts & accessories 3M™ Adflo™ Powered Air Respirator



Part No	Description	Part No	Description	Part No	Description
BPK-01	Backpack	15-0099-12	O-ring for breathing tube assembly 15-0099-10. (not shown).	35-0099-08	Charger for Li-ion battery
L-122SG	Breathing tube for L-series headgear.	15-0099-16	Belt, leather.	35-0099-08N6	Docking station for chargers.
SG-15	Flame resistant breathing tube cover (replaces 17-0099-54).	15-0099-20	Flow Indicator rubber adapter (not shown).	35-0099-14	Belt connection (not shown)
SG-30W	Breathing tube, self-adjusting, with QRS connection.	15-0099-21	Flow Indicator.	35-0699-9901	Nuisance odor filter
SG-40W	Breathing tube, heavy-duty, with QRS connection.	15-0099-9906	Prefilter, 6/case.	35-0699-9901	Nuisance odor filter pad
SG-50W*	Breathing tube, sound-dampening, with QRS connection.	15-0099-9912	Prefilter, 12/case.	35-0699-9901	Nuisance odor filter pad, 10/c
SG-90	Carry bag, black.	15-0299-9902	HE particulate filter, 2/case.	35-1099-01	PAPR assembly and filter cover
06-0500-65	Protective bag	15-0299-9906	HE particulate filter, 6/case.	35-1099-07	Battery Li-ion
15-0009-9902	Spark arrestor, 2/c	15-0299-9936	HE particulate filter, 36/case.	35-1099-07	Battery Li-ion
15-0099-05	Airflow indicator	15-0499-9902	OV/AG cartridge, 2/case	35-1099-81	PAPR filter cover
15-0099-06	Leather belt front extender	15-0499-9906	OV/AG cartridge, 6/case	35-5401-01*	Adflo PAPR with SG-30W self-adjusting breathing tube, airflow indicator, prefilter, spark arrestor, filter cover, HE particulate filter, battery, belt and charger.
15-0099-08	Charger for NiMH battery	15-1101-99	Battery NiMH		
15-0099-10	Breathing tube assembly (including gasket and o-ring)	15-1101-99	Adflo service kit: HE particulate filters 2/c, prefilters 6/c, spark arrestor 2/case.		
15-0099-11	Gasket for non-QRS breathing tubes (not shown).	34-5401-02SG*	Adflo PAPR with L-122SG breathing tube, airflow indicator, prefilter, spark arrestor, filter cover, HE particulate filter, battery, belt and charger		

* The 3M™ Speedglas™ Breathing Tube SG-50W is required when used with 3M™ Adflo™ PAPR with HE filter and OV/AG cartridge and 3M™ Speedglas™ Welding Helmets 9100-Air or 9100 MP.